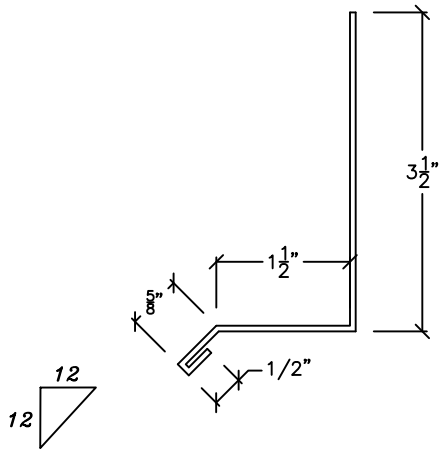


**BASE TRIM**

A  
29

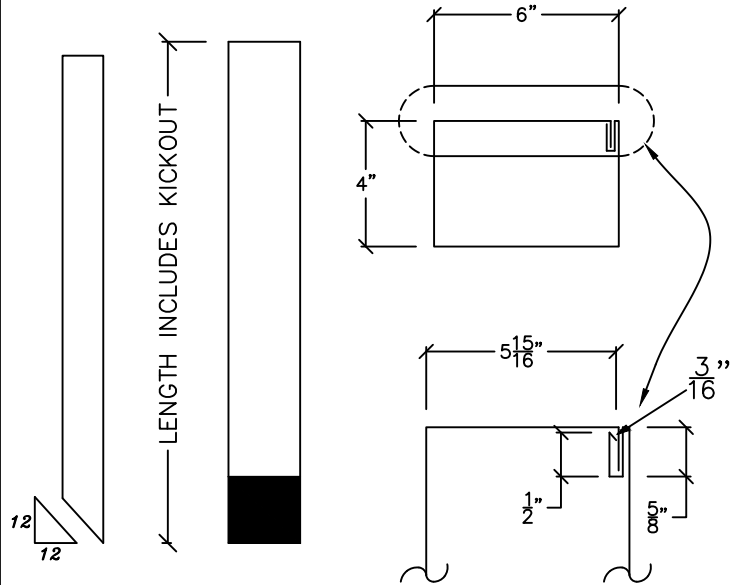


(6 1/8" STRETCH)

REV. 1/14/2021

**4" X 6" EAVE DOWNSPOUT**

A  
30

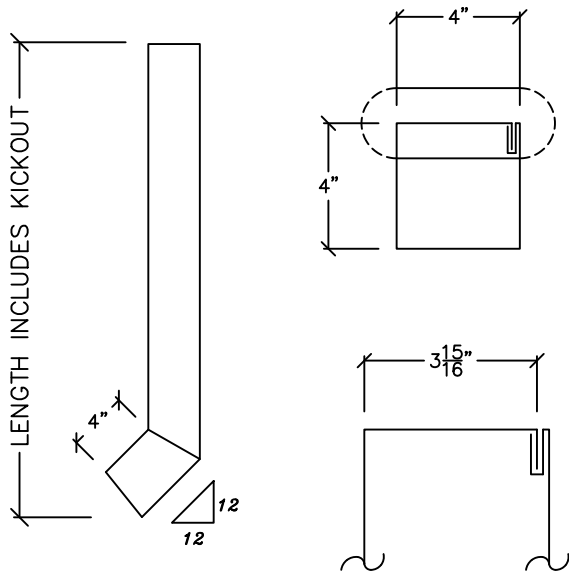


(21 3/4" STRETCH)

REV. 3/19/2014

**OPTIONAL DOWNSPOUT**

A  
31

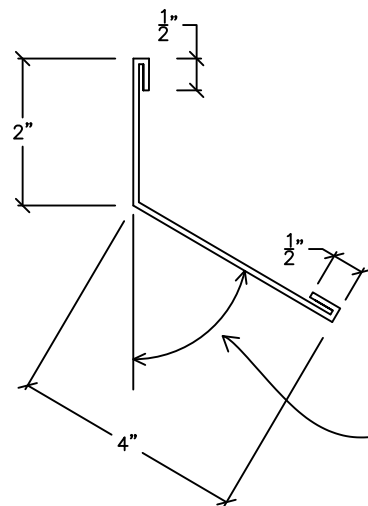


(17 7/16" STRETCH)

**SOFFIT SUPPORT TRIM**

24 GA. MINIMUM

A  
32



(7" STRETCH)

- 1/2/12=88°
- 1/12=85°
- 2/12=80°
- 3/12=76°
- 4/12=71°
- 5/12=67°
- 6/12=63°