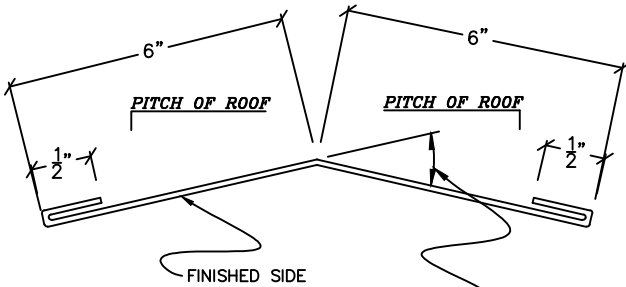


CEILED EXTENSION SOFFIT TRIM

A9

DETAILER NOTE:
MAKE 6" LEG 4" AT HIP SOFFIT



1/2/12 = 5°
1/12 = 10°
2/12 = 19°
3/12 = 28°
4/12 = 37°
5/12 = 45°
6/12 = 54°

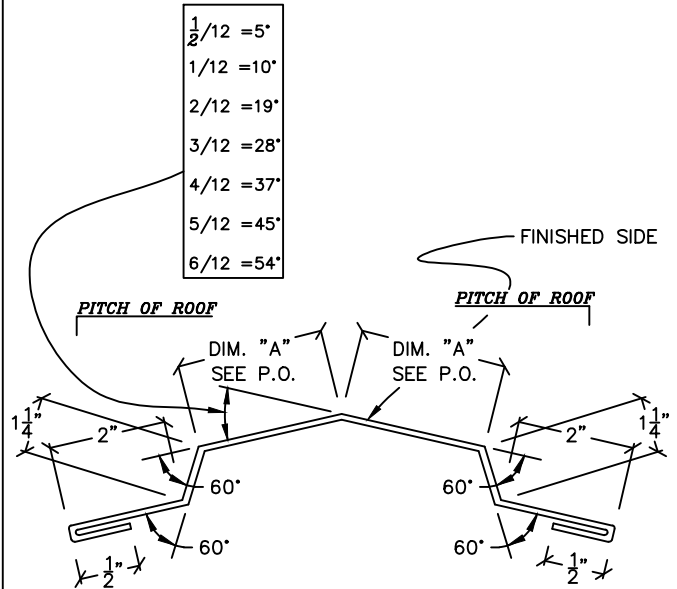
(13" STRETCH)

REV. 8/20/2021

RIDGE ROW

A10

DETAILER NOTE:
PBR, S.S.R. & HIPS WHEN RIDGE ROW IS USED ON MAIN BLDG.



1/2/12 = 5°
1/12 = 10°
2/12 = 19°
3/12 = 28°
4/12 = 37°
5/12 = 45°
6/12 = 54°

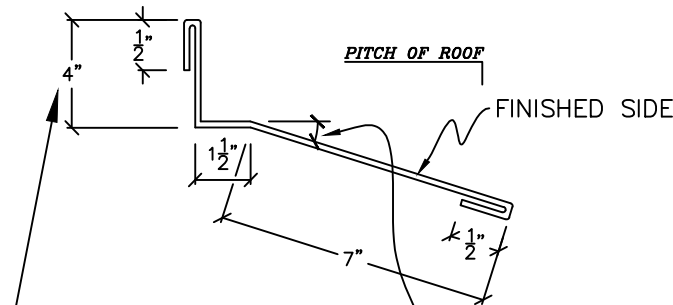
(STRETCH VARIES)

REV. 8/20/2021

LEAN-TO FLASHING FOR SPLIT WALLS

FOR 1 1/4" WALL SHEET

A11



DETAILER NOTE:
MAKE THIS 2" IF FLASHING TO THE FINISH SIDE OF A WALL. (11 1/2" STRETCH)

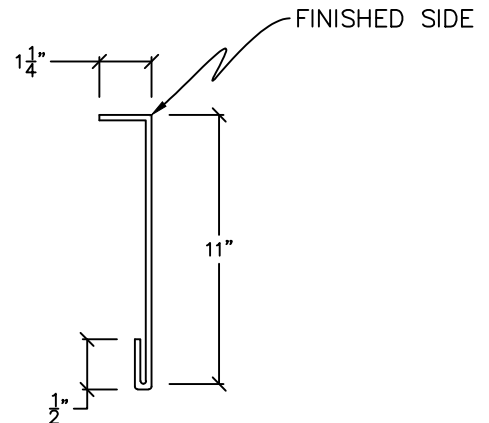
1/2/12 = 2°
1/12 = 5°
2/12 = 10°
3/12 = 14°
4/12 = 19°
5/12 = 23°
6/12 = 27°

(13 1/2" STRETCH)

REV. 5/4/2023

PURLIN FLASHING 8" "R" PANEL

A12



(12 3/4" STRETCH)