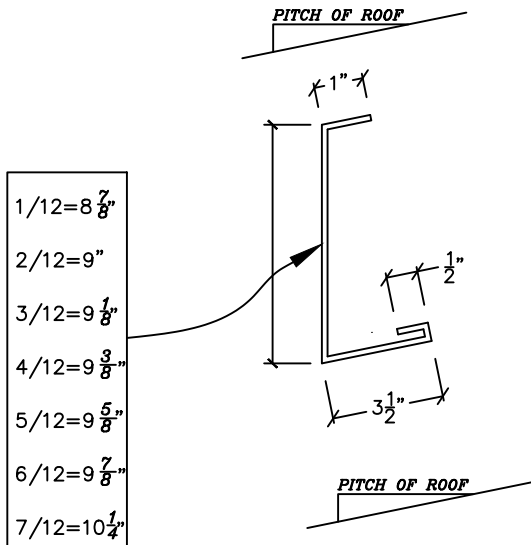


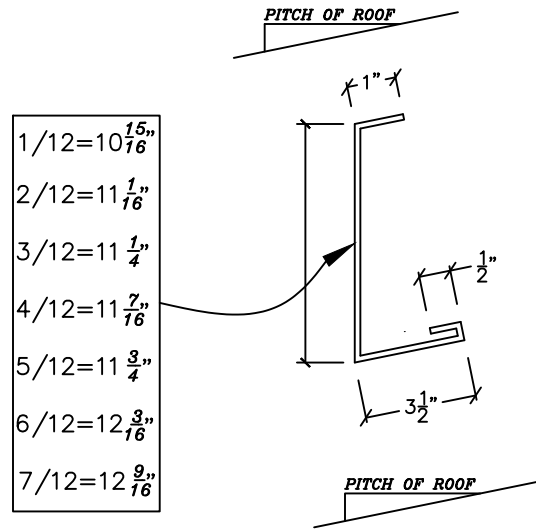
**OPEN WALL EAVE STRUT WRAP 8" W/ "U" SOFFIT**

A  
101



**OPEN WALL EAVE STRUT WRAP 10" W/ "U" SOFFIT**

A  
102



(STRETCH VARIES)

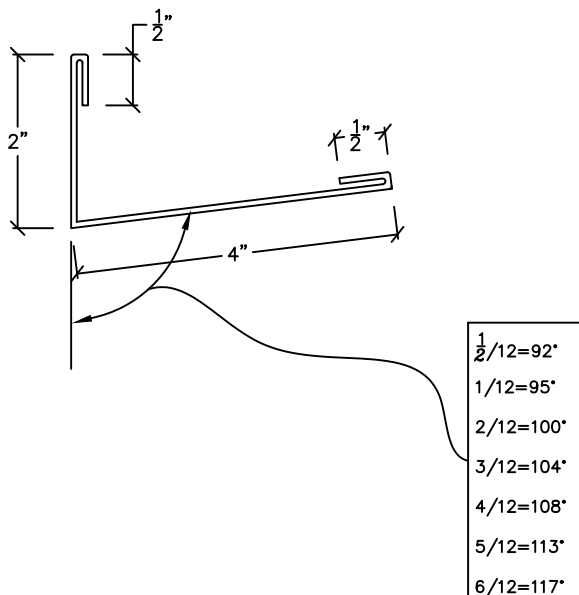
REV. 3/19/2014

(STRETCH VARIES)

REV. 3/19/2014

**REVERSE SOFFIT SUPPORT TRIM 24 GA. MINIMUM**

A  
103

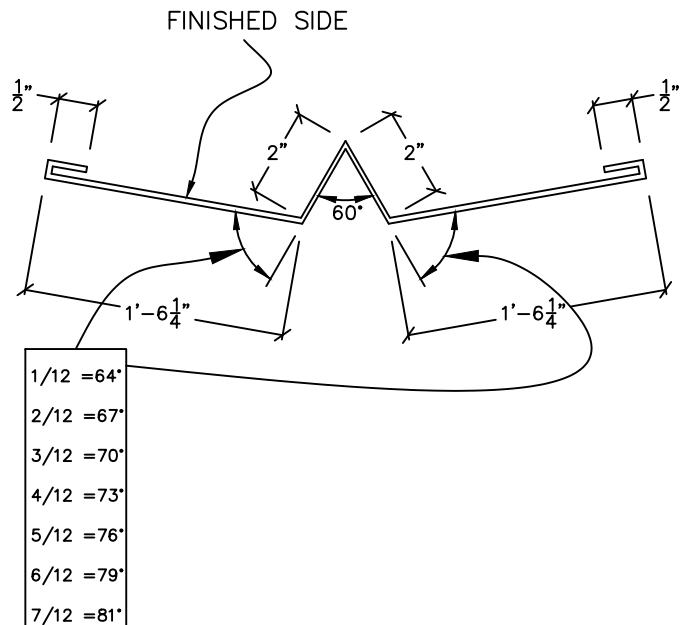


(7" STRETCH)

REV. 3/19/2014

**VALLEY FLASHING**

A  
104



(41 1/2" STRETCH)

REV. 7/26/2016